

HAMMER[®] STRENGTH

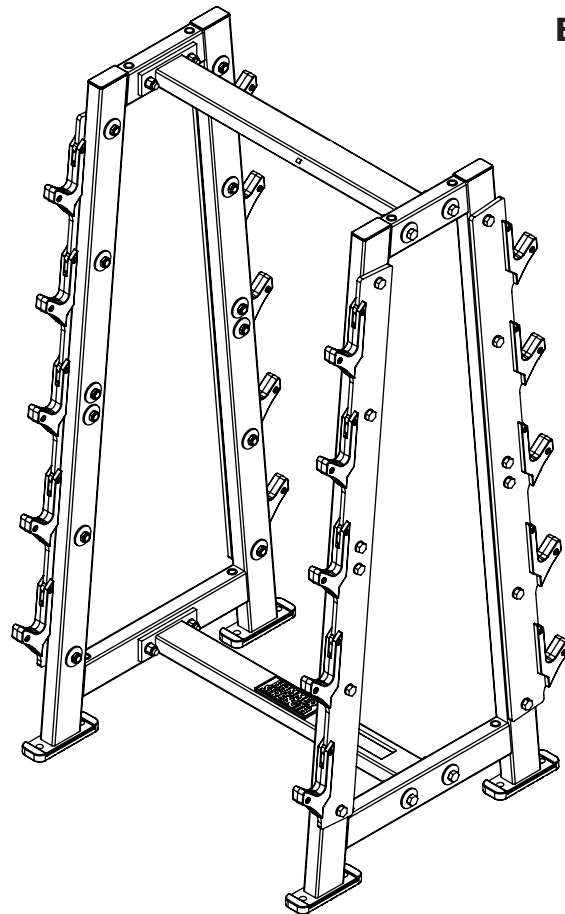
**HAMMER
STRENGTH[®]**

FREE WEIGHT

PARTS MANUAL

**BARBELL RACK
FWBAR & FW-BAR**

7/07/2020



CONTENTS

COMPONENT ASSEMBLY PAGE 3

SIDE FRAME ASSEMBLY 4

GUN RACK ASSEMBLY 5

KEY

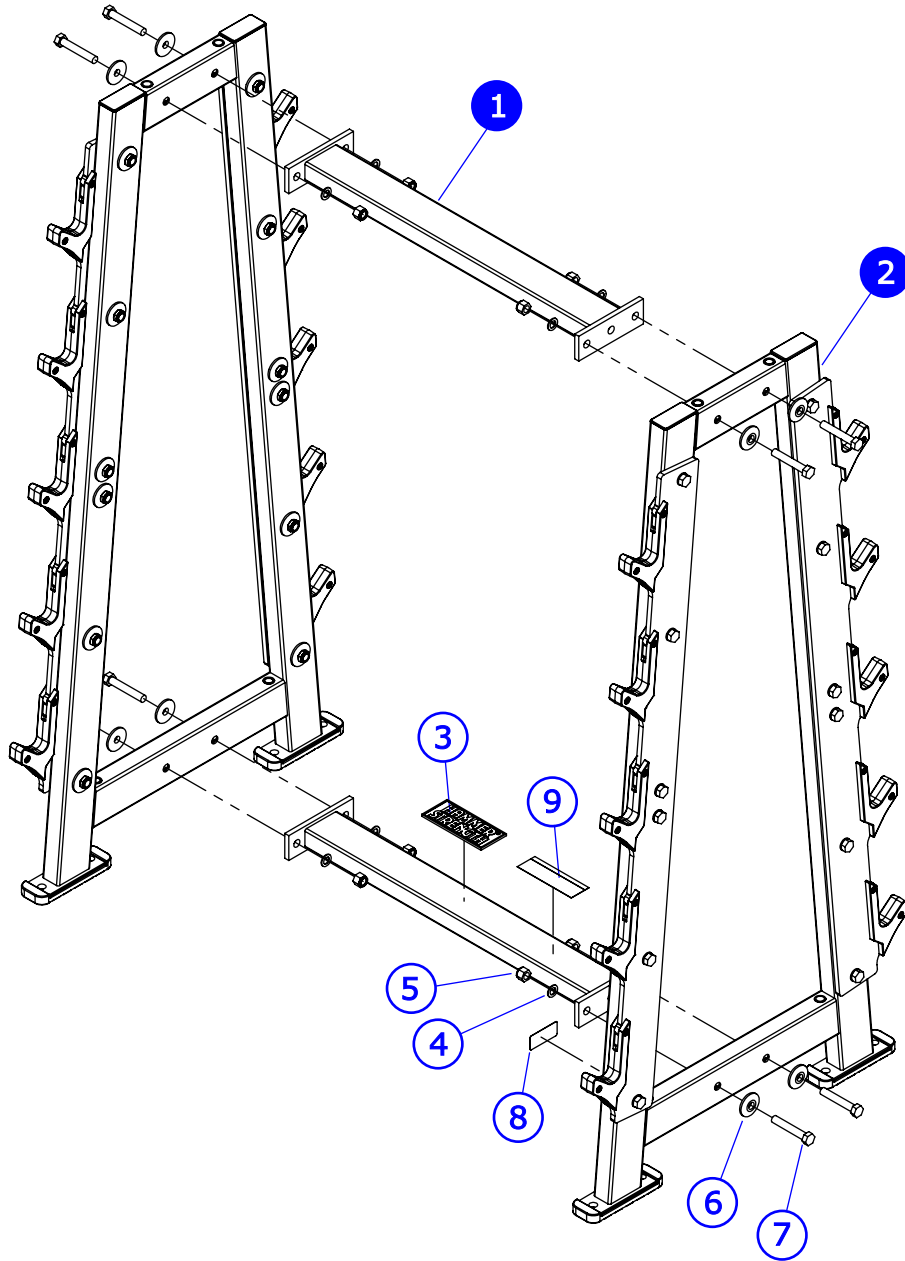
UPHOLSTERY ① ② ③

Items with Gray call-outs require the upholstery color listed within the order notes. IE: Putty

FRAME AND MOVEMENT ARM COLORS ① ② ③

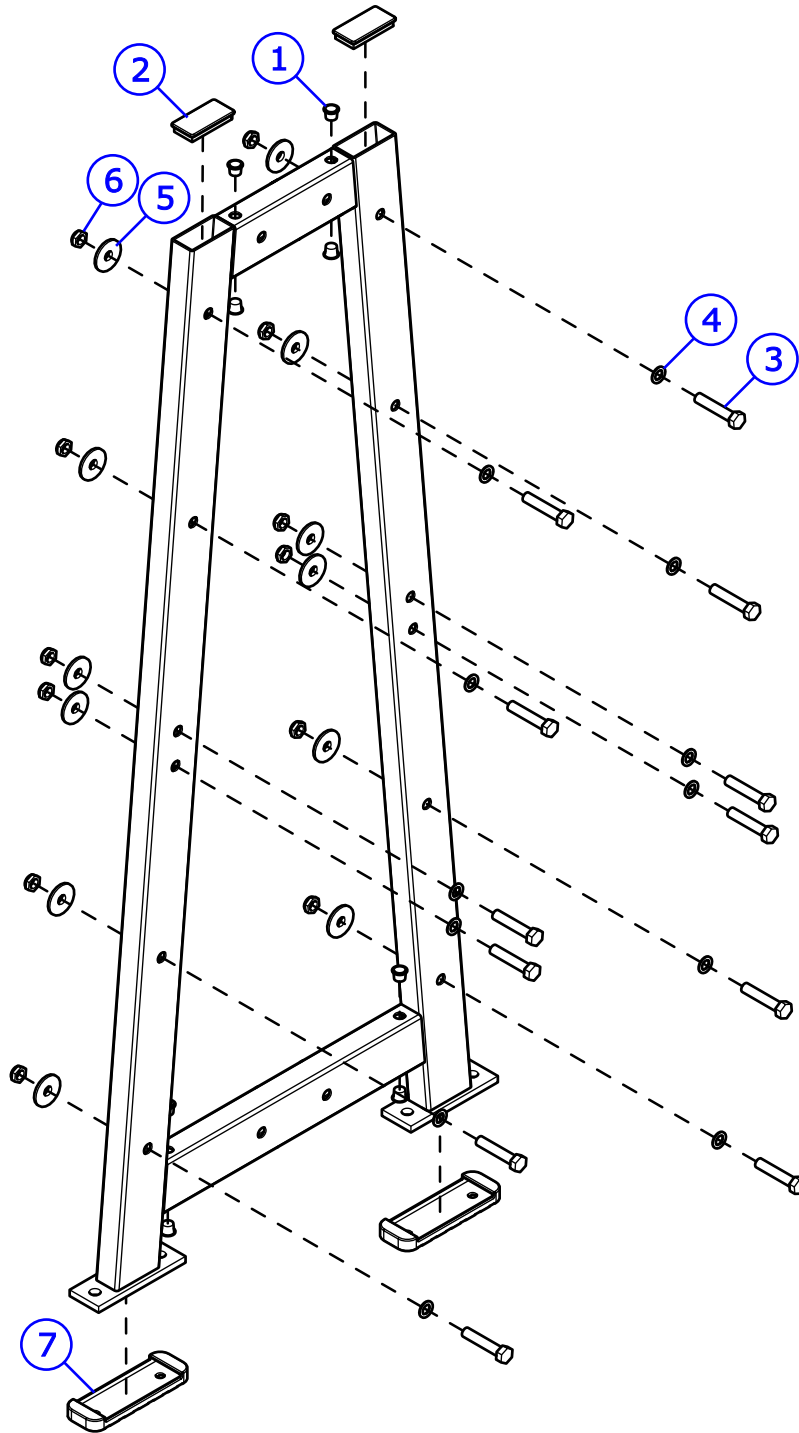
Items with Blue call-outs require the powder coat frame color to be listed within the order notes.

COMPONENT ASSEMBLY



ITEM NO.	QTY.	PART NO.	DESCRIPTION
1	2	FWBAR-XM	WLDMT, CROSS MEMBER, FWBAR
2	2	FWBAR-CSF	ASSY, SIDE FRAME, FWBAR
3	1	H-NAMEPLATE	HAMMER STRENGTH BADGE
4	8	WASH.5STAR	1/2" INTERNAL LOCK WASHER
5	8	NUT.5LOCK	1/2 DIA THICK LOCK NUT
6	8	H-BACK-WASH	BACKING WASHER
7	8	HHB.5X3	1/2 X 3 BOLT
8	1	-	SERIAL NUMBER
9	1	8758401	FIXED BENCH WARNING DECAL

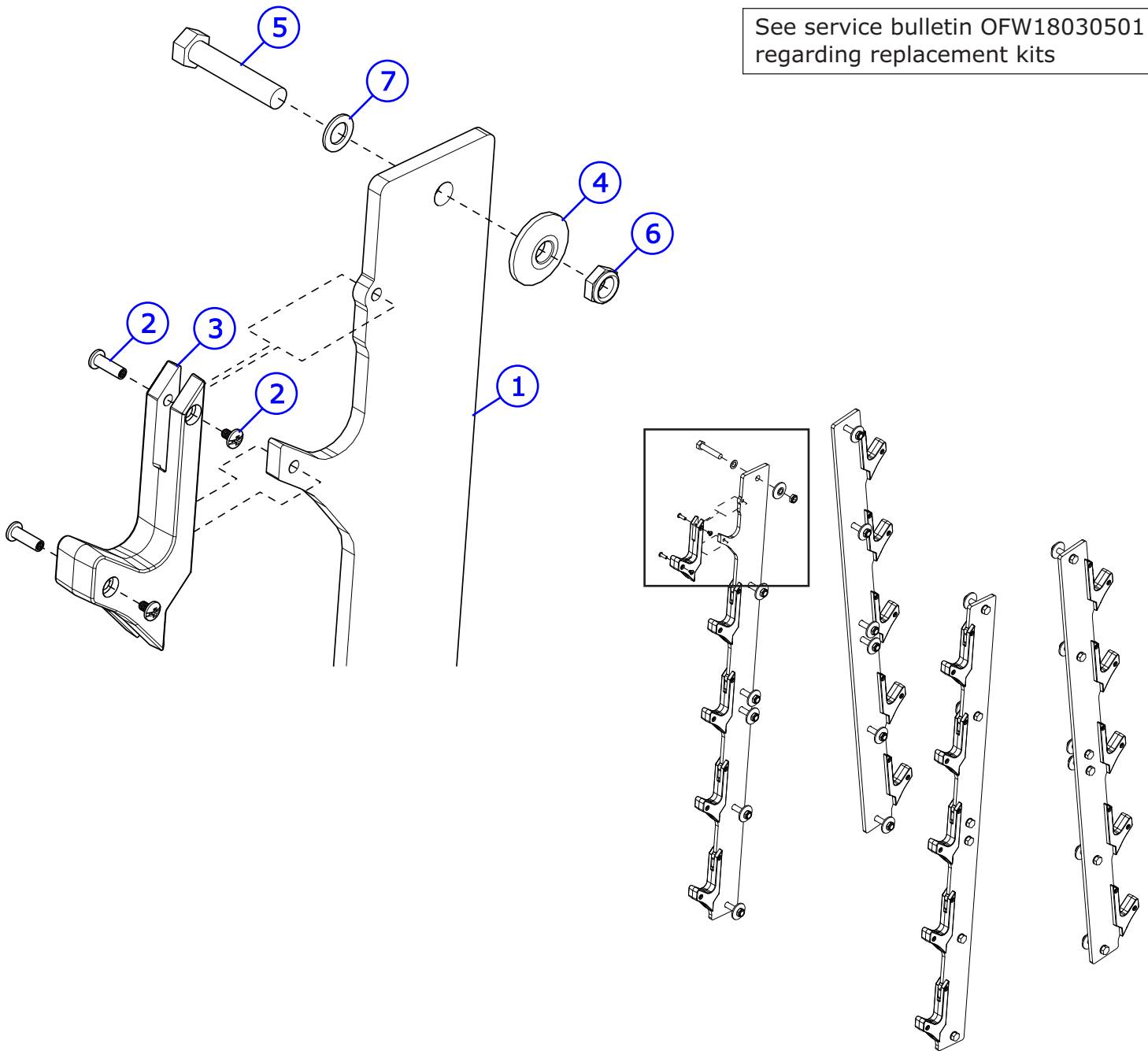
SIDE FRAME ASSEMBLY



ITEM NO.	QTY.	PART NO.	DESCRIPTION
1	8	HP-PLUG(REG)	HOLE PLUG
2	2	RC1530-1Q1	CAP:1-1/2 X 3 RECTANGLE PLUG
3	12	HHB.5X2.5	1/2 X 2 1/2 BOLT
4	12	WASH.5STAR	1/2" INTERNAL LOCK WASHER
5	12	H-BACK-WASH	BACKING WASHER
6	12	NUT.5JAMLOCK	1/2 THIN LOCK NUT
7	2	MM-8	2 X 6 FLANGE RUBBER SLIPPER

GUN RACK ASSEMBLY - 1010187-0001

See service bulletin OFW18030501 regarding replacement kits



ITEM NO.	QTY.	PART NO.	DESCRIPTION
1	4	1003676-0093	PLATE, FW-BAR, GUN RACK -HWG
2	40	1003822-0001	BINDING POST, 10-24
3	20	1010118-0001	GUARD: GUN RACK
4	24	H-BACK-WASH	BACKING WASHER
5	24	HHB.5X2.5	1/2 X 2-1/2 BOLT
6	24	NUT.5JAMLOCK	1/2 THIN LOCK NUT
7	24	WASH.5STAR	1/2 INTERNAL LOCK WASHER